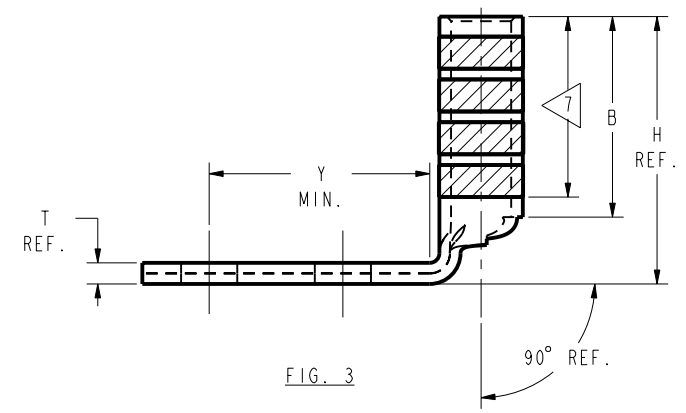
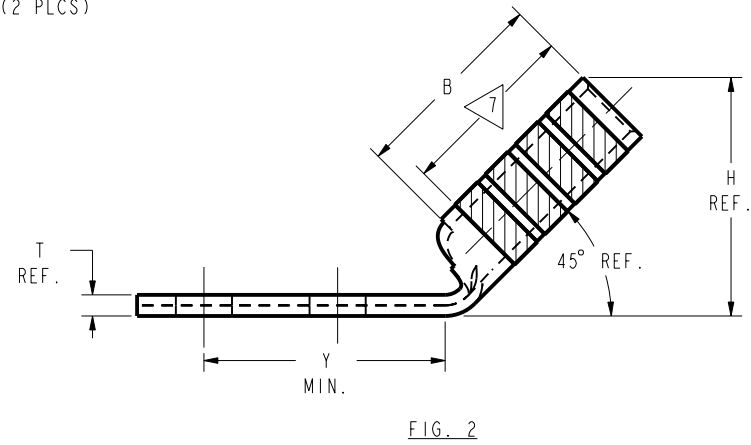
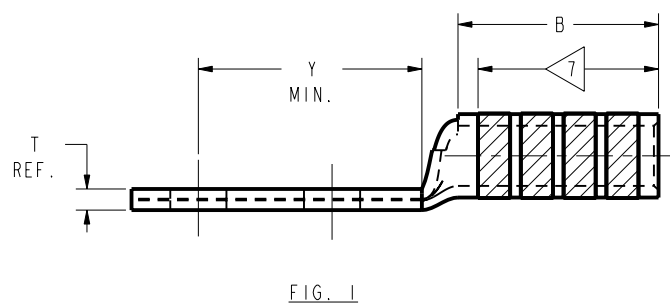
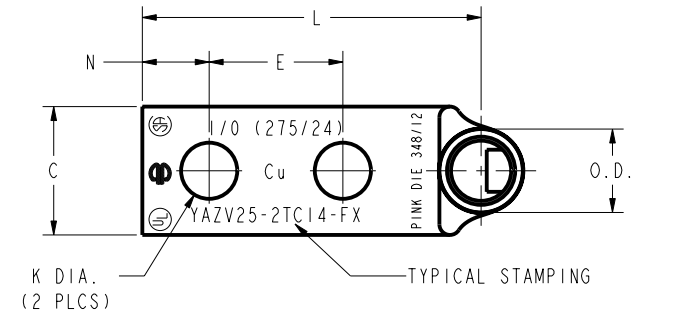
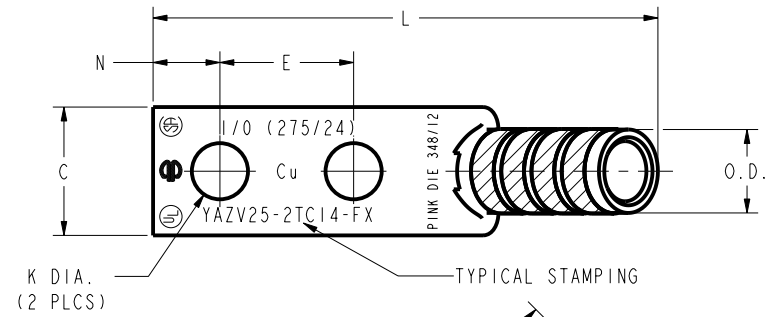
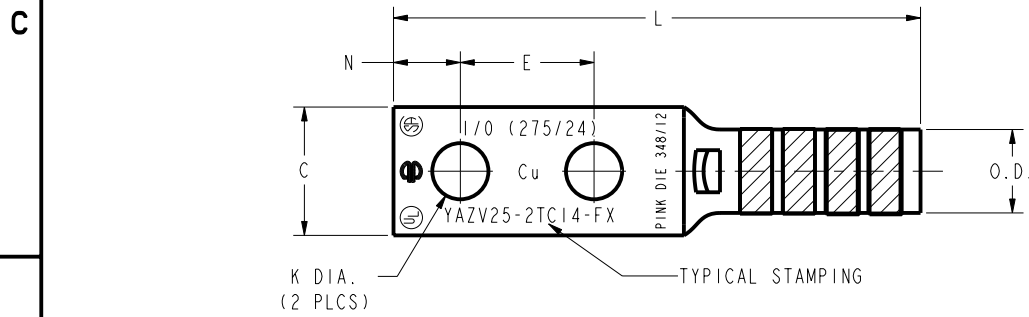


REV	DATE	DESCRIPTION	ECO	BY	CHK
D	06/05/2015 00:00:00 AM	UPDATED L DIM. FOR "14EIFX" SIZE & UPDATED TOOLING	40469	BSB	RG

CATALOG NO.	CONDUCTOR		BOLT SIZE	FIG. NO.	DIMENSIONS										INSTALLATION TOOLING (# CRIMPS)						DIELESS (# CRIMPS)	WIRE STRIP LENGTH					
	FLEX	CODE (AWG)			B	C	E	H	K DIA.	L	N	O.D.	T REF.	Y MIN.	DIE INDEX	COLOR CODE	MECHANICAL		HYDRAULIC								
																	MD7-34R	OUR840	PAT600 Y500CT	Y750, Y35, Y39, PAT750			Y46 PAT46	Y45			
YAZV252TC14FX	1/0 WELD 275/24	1/0 AWG	1.50 [38]	.83 [21]	.62 [16]	---	.27 [7]	3.20 [81]	.31 [8]	.56 [14]	.12 [3]	.96 [24]	12 OR 348	PINK	7	7	7	7	7	MECHANICAL: MY29-11 21)	1-9/16						
YAZV252TC14FX45						1.78 [45]		2.92 [74]														W25VT X25RT W25RT (4)	X25RT W25VT (4)	W25VT X25RT W25RT (4)	U25RT UR4204WE (2)	U25RT UR4204WE (2)	U25RT UR4204WE (2)
YAZV252TC14FX90						2.12 [54]		1.66 [42]																			
YAZV252TC14E2FX	1/0 WELD 275/24	1/0 AWG	1.50 [38]	.83 [21]	.75 [19]	---	.27 [7]	3.32 [84]	.31 [8]	.56 [14]	.12 [3]	1.09 [28]	12 OR 348	PINK	7	7	7	7	7	HYDRAULIC: Y644HS (1) Y644MBH (1) PAT644 (1) Y81KFT (2) PAT81KFT (2) Y4PC834 (2) PAT4PC834 (2)	1-9/16						
YAZV252TC14E2FX45						1.78 [45]		3.05 [77]														W25VT X25RT W25RT (4)	X25RT W25VT (4)	W25VT X25RT W25RT (4)	U25RT UR4204WE (2)	U25RT UR4204WE (2)	U25RT UR4204WE (2)
YAZV252TC14E2FX90						2.12 [54]		1.79 [45]																			
YAZV252NT14EIFX	1/0 WELD 275/24	1/0 AWG	1.50 [38]	.48 MAX [12]	1.00 [25]	---	.27 [7]	3.68 [93]	.31 [8]	.56 [14]	.12 [3]	1.33 [34]	12 OR 348	PINK	7	7	7	7	7		1-9/16						



NOTES:

- MATERIAL: COPPER TUBING.
- FINISH: TIN PLATED.
- CATALOG # PT6515 ADAPTOR IS REQUIRED TO USE "U" DIES IN Y45 SERIES TOOLS.
- CATALOG # PUADP-1 ADAPTOR IS REQUIRED TO USE "U" DIES IN Y46 SERIES TOOLS.
- PERMANENT DIE IN TOOLING.
- DIMENSIONS IN BRACKETS [] ARE IN MILLIMETERS ROUNDED OFF TO THE NEAREST MILLIMETER, UNLESS OTHERWISE NOTED, AND ARE FOR REFERENCE ONLY.
- CRIMP (# OF CRIMPS PER TABLE) WITHIN THE LENGTH BETWEEN THE INK STAMPED CRIMPING AREA.

TO ORDER BURNDY® PRC	HYLUG™ (TWO HOLE FLEX)			
	ITEM NO:	N/A		
	CAT. NO:	YAZV25- (TABLE)		
	DRAWN BY:	B MICHAUD	8/25/99	
	CHECKER:	K HENRY	8/26/99	
	DSN APPVL:	RR TEAM	9/28/99	
	MFG APPVL:	--	--	
	QA APPVL:	J BRODEUR	10/6/99	
	MKT APPVL:	R ROBICHEAU	10/5/99	
	PROJ #:	--	SIZE	D
DOCUMENT TYPE:	Sales	DRAWING NO	SE212273	
REL LEVEL:	Released	REV	D	
		SHEET	20 OF 48	

REV: PE0200